

UFP CARTRIDGE AND UFW CARTRIDGE

A number of enhancements have been made to the internal mechanism of the UFP cartridge and subsequently it's being re-branded as a **UFW**.

This cartridge has increased rigidity.

The UFW Cartridge has smoother more regular adjustment motion through its entire range.

The screw now has a uniform position regardless of the adjustment in range and does not protrude by varying amounts from the cartridge.

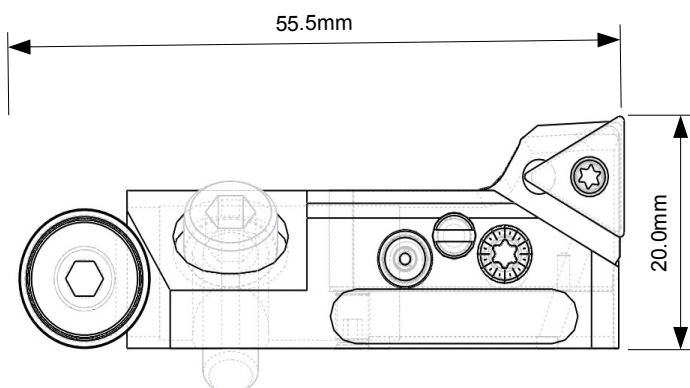
Rigibore have achieved these product enhancements by changing the previous adjustment mechanism to a precision ground wedge from the previous machined surfaces.

We have replaced the spring steel slide arrangement that gave the unit its pre-load preventing backlash with a standardised spring. This gives us better control on the quality and allows us to tune the pre-load in each cartridge uniformly.

The UFW unit has been **extensively tested** and in adjustment, repeatability and rigidity it **enhances further the excellent quality of the UFP**.

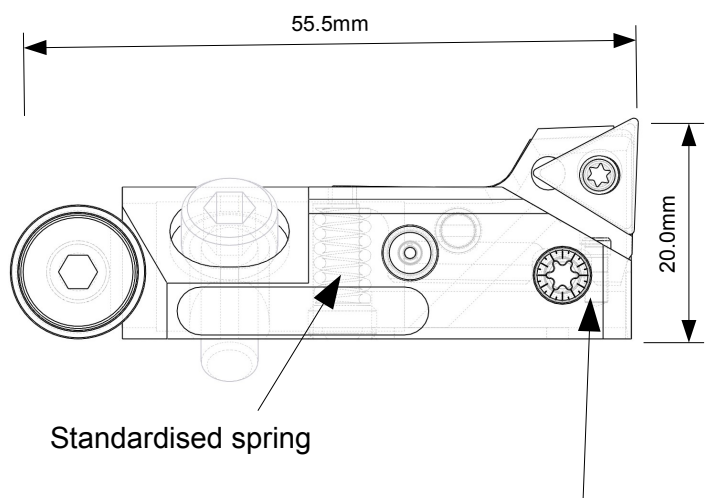
NO DIMENSIONAL CHANGES HAVE BEEN MADE TO THE PRODUCT SO UFP AND UFW CARTRIDGES ARE INTERCHANGABLE AND DIMENSIONALLY IDENTICAL.

UFP



Do not Scale – Illustration only

UFW



Standardised spring

Precision ground wedge