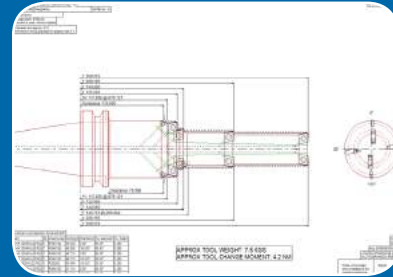
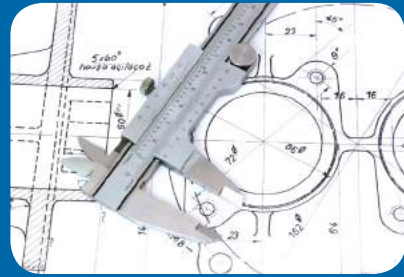


# Special Tool Design

Rigibore design and manufacture customised, multi-function, combination boring bars - specific to your application

- Tool quotes in 24 hrs
- Tool delivery in 2-3 weeks
- Comprehensive technical support



Rigibore engineers tooling that saves cycle time by combining features.

We increase quality by using our own range of highly accurate adjustable products.

Our focus is purely on hole making strategies and with over thirty years experience in this engineering field we consider ourselves the best in the world at providing our customers with solutions to making perfect holes.

All our tools are built to incorporate ISO standard inserts. RADS (Rigibore Advanced Design Software) allows the engineering of complex boring tools in minutes with automatically generated 3D models for detail design and approval.



# RIGIBORE

## How to contact us:

Telephone a Rigibore representative  
Email Rigibore  
Use our online 'Rapid Quote Request'

## Rigibore Products

Global (excl. USA and Mexico)  
Rigibore Ltd  
Guildford Road Ind. Est.  
Hayle  
Cornwall TR27 4BA  
United Kingdom  
Tel: +44 (0) 1736 755 355  
Fax: +44 (0) 1736 756 100

Email: [info@rigibore.com](mailto:info@rigibore.com)  
[www.rigibore.com](http://www.rigibore.com)

India  
Rigibore India Pvt Ltd.  
#109  
1st Floor  
Mota Chambers  
Millers Road  
Bangalore - 560052  
Tel: +91 80-41253035

Email: [info@rigibore-india.com](mailto:info@rigibore-india.com)  
[www.rigibore-india.com](http://www.rigibore-india.com)

USA and Mexico  
Rigibore Inc  
700 Swan Drive  
Mukwonago  
WI 53149  
USA  
Tel: 262 363 3922  
Fax: 262 363 3685

Email: [info@rigiboreinc.com](mailto:info@rigiboreinc.com)  
[www.rigiboreinc.com](http://www.rigiboreinc.com)

Includes:  
ActiveEdge®  
Smartbore®  
Micron-adjustable Boring Units (MBU)  
UFP Cartridges  
Standard Boring Bars  
ISO Cartridges  
Inserts

RIGIBORE® Innovation Technology and Quality in Design and Manufacture



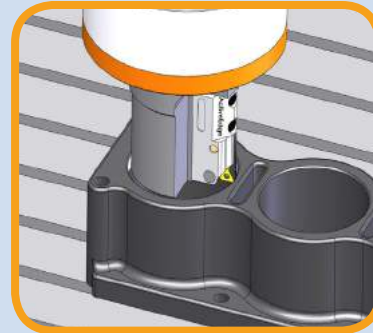
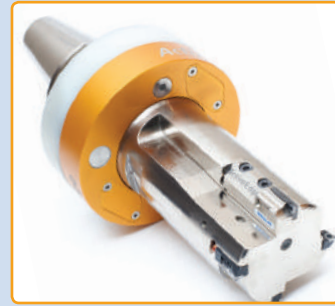
Local Distributor

# RIGIBORE Automatic Adjustment

## ActiveEdge

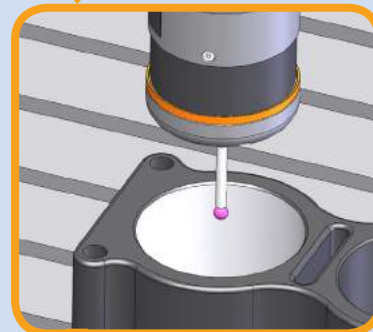
### Fully Automatic Boring Bar Compensation

- Automatic bore sizing
- Increase in cell productivity and throughput efficiency
- Consistent bore size control
- Increase in spindle utilisation
- Multiple edges with individual adjustment
- Reduces scrap
- Simple to set up



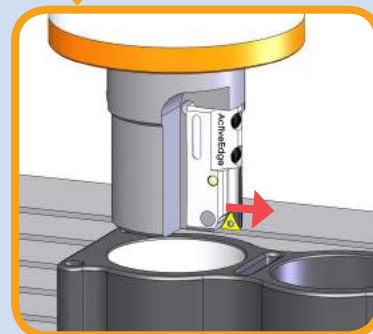
#### Bore

Pre-set tool bores hole on CNC Machine Tool.



#### Measure

Bored hole is measured with dedicated gauge or probe.



#### Automatic Adjust

Measurement is used to calculate adjustment for tool. Boring tool is wirelessly adjusted.

# RIGIBORE Advanced Tooling

## Smartbore

Micron accurate cutting edge tool adjuster

## Smartbore Nano

Micron accurate high speed boring head

### Confidently adjust to 1µm on diameter

- Allow operators of all skill levels to confidently adjust boring bars
- Adjusts to 1µm on diameter
- Significantly reduces risk of scrap parts
- Make fast micron accurate adjustments to multiple cutting edges
- Improves process capability



- Digital display in microns, showing exact adjustment made
- Cartridge-based design, interchangeable with UFP
- 0.6mm range of adjustment on diameter
- Metric or Imperial settings
- Rechargeable

## ActiveEdge

### Remotely Adjustable Boring Bars

Adjust boring tools from hand held device without entering the machine.

Reduces health and safety risks

Accurate adjustments without presetter



# RIGIBORE Standard Products

## Standard Boring Bars & Units

Complete range of standard boring bars  
Roughing, semi-finish and finish tools  
Bore from Ø15.875 to Ø450.00mm  
Stock available in all common taper & straight shanks



## Tools for building in

### UFP Cartridges

Ultra-Fine Precision Cartridges (finishing)  
Graduated adjustment by 5 microns on dia.  
0.6mm range of adjustment on diameter  
Pre-tensioned for zero backlash  
No clamping  
For CAD models and design dimensions see website



### Micron-Bush Units (MBX)

Micron Adjustable Bush Units (finishing)  
Interchangeable with other leading brands  
Competitive prices  
Angular and square mount available  
4 sizes



### ISO Cartridges

Screw-on style ISO cartridges (roughing)  
ISO Standard design cartridges  
(06CAx7) 06CA 08CA 10CA 12CA

Special designed cartridges available



### Inserts – Standard and Special Form

ISO Standard range of Inserts  
Cast iron grades  
Aluminium grades  
Steel grades & geometries  
Special designed form inserts available

