

MBX Units

Accuracy through rigidity
for fine-finishing

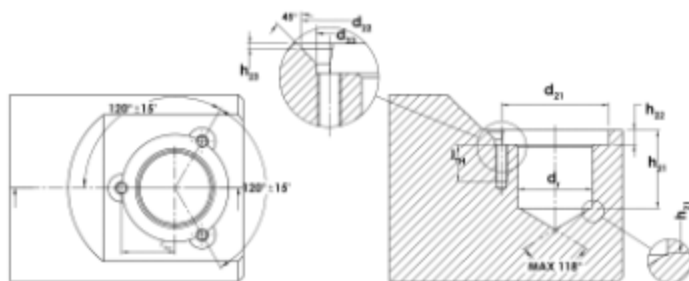
Features

- These units are designed for building into boring tools
- The units are pre-tensioned, eliminating backlash and adjustment is made from the front only
- Each graduation on the adjustment dial is 0.005 / .0002" on radius
- Each vernier graduation on the bush is 0.001mm/.0004" on radius



Rigibore 'MBX' Units - Technical Specification

Rigibore 'MBX' Units - Mounting Dimensions



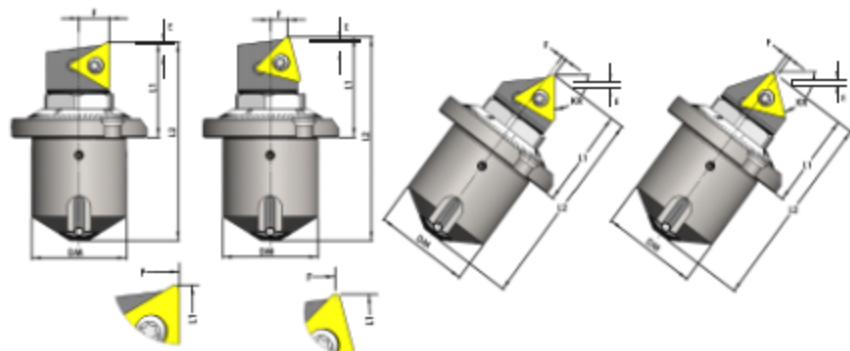
T Style Insert	C Style Insert	d _{R7}	d ₂₁ ¹	d ₂₂ ¹	d ₂₃ ¹	h ₂₁ ²	h ₂₂ ²	h ₂₃ ¹	h ₂₄ ¹	r ₂₅	T ₂₆
	06	16	19	4.6	3.2	11.5	2.8	1.6	9	9.65+/-0.02	M3
06		20	25			15.5	4			12.5+/-0.05	
09		22	30	6.5	4.3	24	5	1.8	13	15.4+/-0.05	M4
11		32	46	11.9	5.4	33	6.3	-	16	23+/-0.05	M5

Rigibore 'MBX' Units - Spares and Accessories

Size	Insert	Insert Screw	Retaining Screw and Wrench Kit	Adjusting Spanner	Torx Wrench	Torx Driver
MBX1	CC.0602	RS2560	BTR001/10/3	R36	R37	R37D
	TC.06T1	RS2045			R27	R27D
MBX2	TC.0902	RS2263		R46		
MBX3	TC.1102	RS2560	BTR001/7/3	R36	R37	R37D
MBX4	TC.16T3	RS4034	BTR001/8/3	R76	R77	R77D

Rigibore 'MBX' Units – Straight & Angular

RIGHT HAND VERSION - Shown



	Entering Angle KR	Insert type	Ordering code	DM	F1 ¹	L1 ²	L1 ³	L2	D MIN ⁴	E MAX		
	90°	CC.060204	MBX1-590C06	16	5.10	13.20	13.30	25.10	27.00	0°	2.5	
			MBX1-590C06-LH								3.5	
		TC.090204	MBX2-590T09	20	6.30	18.01	18.30	33.40	36.50		48.50	6.0
			MBX2-590T09-LH									10.0
		TC.110204	MBX3-590T11	22	7.20	21.80	22.10	46.00	68.40		27.00	2.5
			MBX3-590T11-LH									3.5
		TC.16T308	MBX4-590T16	32	10.30	31.42	32.00	64.70	68.40		27.00	6.0
			MBX4-590T16-LH									10.0
	75°	CC.060204	MBX1-575C06	16	2.45	13.83	14.20	26.00	28.60	0°	2.5	
			MBX2-575T09								3.5	
		TC.110204	MBX3-575T11	22	4.30	22.73	23.10	47.00	50.10		27.00	6.0
			MBX4-575T16									10.0
	90°	CC.060204	MBX1-290C06	16	0.40	14.08	14.30	26.00	25.30	0°	2.0	
			MBX1-290C06-LH								2.8	
		TC.06T102	MBX1-290T06	20	0.25	14.11	19.10	34.20	32.50		26.60	4.8
			MBX1-290T06-LH									8.0
		TC.090204	MBX2-290T09	22	1.00	18.70	23.00	46.80	42.00		26.30	2.0
			MBX2-290T09-LH									2.8
		TC.110204	MBX3-290T11	32	1.20	22.60	33.30	66.60	59.40		26.30	4.8
			MBX3-290T11-LH									8.0
TC.16T308	MBX4-290T16	32	1.40	32.51	31.60	64.90	60.80	26.30	2.0			
	MBX4-290T16-LH								2.8			
	75°	CC.060204	MBX1-275C06	16	0.85	14.05	14.40	26.10	26.60	0°	2.0	
			MBX1-275T06			14.23					26.30	
		TC.090204	MBX2-275T09	20	0.50	18.86	19.20	34.30	34.00		26.60	2.8
			MBX3-275T11									4.8
		TC.110204	MBX3-275T11	22	0.25	22.56	22.90	46.70	43.50		26.60	4.8
			MBX4-275T16									8.0

- 90° And 75° approach angular mounted and 75° approach square mounted, centre of nose radius, 90° approach straight mounting over insert
- Over datum rad for insert size
- Sharp point
- Minimum hole diameter calculated on the largest nose radius available