



STANDARD BORING BARS AND FLANGES

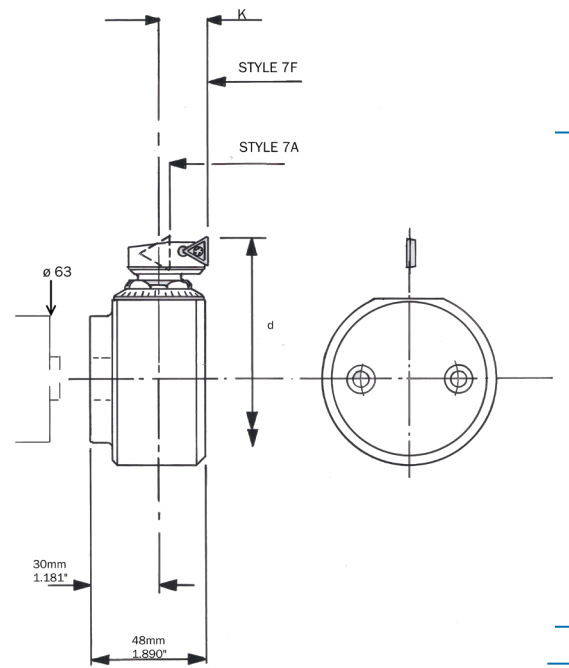
Boring flange adaptors are available on most shanks

To order, specify:

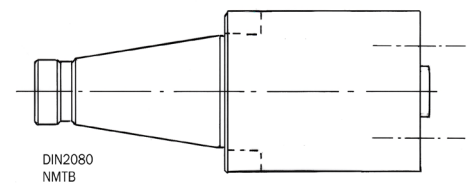
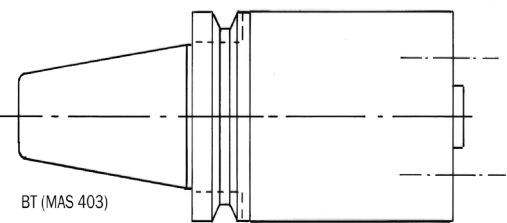
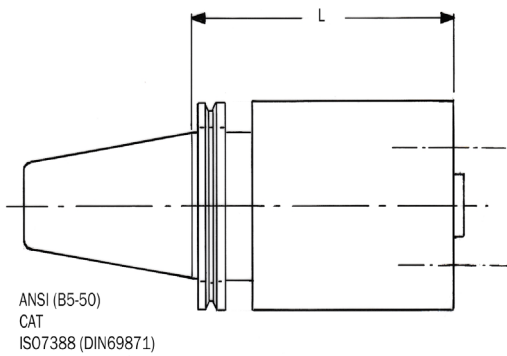
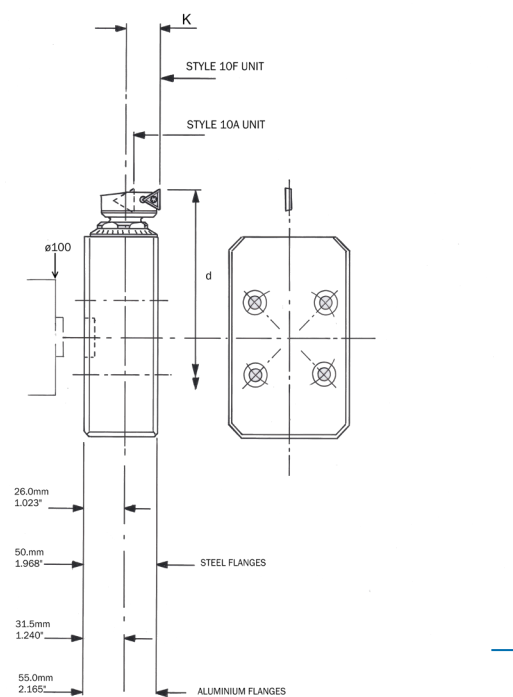
1. Flange Adaptor by Shank e.g BT50 x type e.g. F300 x Length (L) e.g. 150.
2. Ring/Flange e.g F308S (Steel)
3. Boring Unit e.g. R10F5

Please note that adaptors, rings and flanges are sold separately

Type 500 Boring Rings



Type 300 Boring Flanges



Type 500 Boring Rings

Boring Bar Order Reference	Boring Range 'd'		Boring Unit & Approach Angle			B		
	mm	inch	90°	75°	95°			
F502	80-111	3.150-4.370	R7A5	R7A5L	R7A595	8.35	0.328	TC__16 T3__
				R7F5	R7F5L	R7F595	20.00	
F504	97-129	3.819-5.079	R7A5C		R7F595C	6.35	0.250	CC__09 T3__
				R7F5C			20.00	
F506	115-146	4.528-5.748	TR7A5	TR7A5L	TR7A595	8.35	0.328	TC__16 T3__
				TR7F5	TR7F5L	TR7F595	20.00	
F508	132-164	5.197-6.457	TR7A5C		TR7F595C	6.35	0.250	CC__09 T3__
				TR7F5C		TR7F595C	20.00	

Type 300 Boring Flanges

Boring Bar Order Reference	Boring Range 'd'		Boring Unit & Approach Angle			B		
	mm	inch	90°	75°	95°			
F302S	142-198	5.590-7.795						
F303S	163-220	6.417-8.661						
F304S	191-248	7.520-9.764						
F304AL								
F305S	221-278	8.700-10.945	R10A5	R10A5L		9.5	.375	TC__16 T3__
F305AL				R10F5	R10F5L	R10F595	25.4	
F306S	241-298	9.488-11.732	R10A5C		R10A595C	9.5	.375	CC__1204__
F306AL				R10F5C		R10F595C	25.4	
F307S	263-320	10.354-12.598	TR10A5	TR10A5L		9.5	.375	TC__16 T3__
F307AL				TR10F5	TR10F5L	TR10F595	25.4	
F308S	292-349	11.496-13.740	TR10A5C		TR10A595C	9.5	.375	CC__1204__
F308AL				TR10F5C		TR10F595C	25.4	
F309AL	323-380	12.716-14.960						
F310AL	343-400	13.504-15.748						
F311AL	373-430	14.685-16.929						
F312AL	394-450	15.512-17.717						