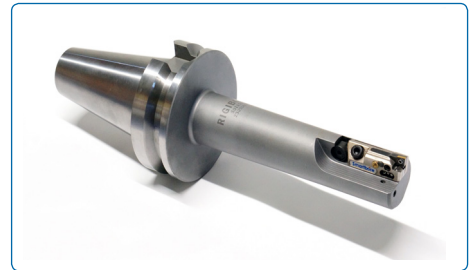
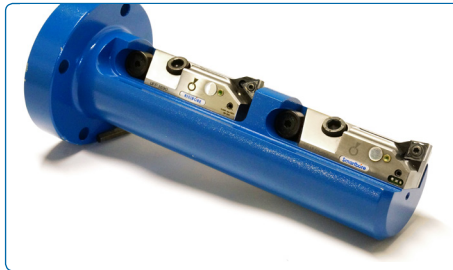


Smartbore

Micron accurate cutting edge tool adjuster

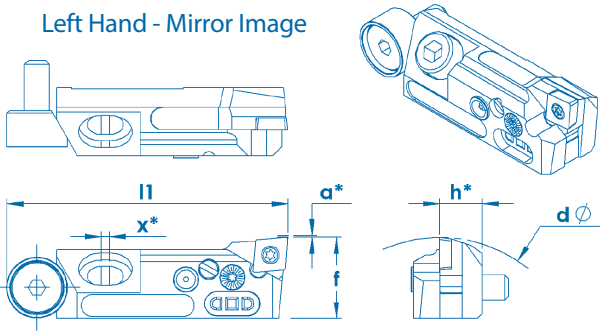
Smartbore Cartridge Technical



Smartbore Technical Specification

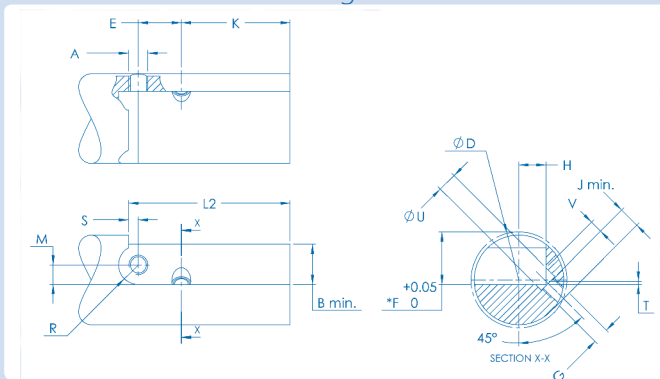
	Part Number	D (Min Bore ϕ)	f	L1	Insert	Datum Rad
		mm	mm	mm		mm
<p>SB-UFP0690</p>	SB-UFP0690 SB-UFP0690LH	28.0	16.0	55.5	CC..0602..	0.4
<p>SB-UFP1190</p>	SB-UFP1190 SB-UFP1190LH	36.0	20.0	55.5	TC..1102..	0.4
<p>SB-UFP0695</p>	SB-UFP0695 SB-UFP0695LH	28.0	16.0	55.5	CC..0602..	0.4
<p>SB-UFP1195</p>	SB-UFP1195 SB-UFP1195LH	36.00	20.0	55.5	TC..1102..	0.4
<p>SB-UFP07120</p>	SB-UFP07120 SB-UFP07120LH	28.0	16.0	58.5	DC..0702..	0.4
<p>SB-UFP1290</p>	SB-UFP1290	75.0	32.0	107.0	CC..1204..	0.8
<p>SB-UFP1690</p>	SB-UFP1690	75.0	32.0	107.0	TC..16T3..	0.8

Right Hand - Shown
Left Hand - Mirror Image



- a*: 0.3 Adjustment on all UFPs Adjustment = 0.001mm per division on diameter
- h*: 8.5 on UFP 06-11
- h*: 18.0 on UFP 12-16
- x*: 1.0 on UFP 06-11
- x*: 1.6 on UFP 12-16

Smartbore & UFP Mounting Dimensions



No machine spindle modification required. Smartbore bars can be carried in a standard magazine and tool management system.

Smartbore cartridges are easily replaceable.

UFP	A	B (min)	H	L2	R	S	K
	mm	mm	mm	mm	mm	mm	mm
Standard	M5 x 0.8	12.5	8.5	47.5	6.1	3.0	34.0
Large	M8 x 1.25	24.6	18.0	98.0	10.1	3.0	63.0
UFP	G	T	U (diam.)	V	J (min)	E	M
	mm	mm	mm	mm	mm	mm	mm
Standard	M5 x 0.8	1.0	6.0	4.0	5.0	13.5	6.1
Large	M10 x 1.5	1.4	11.0	8.0	10.0	32.0	10.0

Smartbore Spares and Accessories

UFP	Clamp Screw	Hexagon Wrench for Clamp Screw	Axial Adjusting Screw	Axial Wedge	Insert Screw	Torx Wrench for Insert Screw	Grease Gun	Hexagon Wrench for Axial Screw	Torx Wrench for Adjustment Screw	Smartbore Adjuster	Smartbore Battery Recharger
Standard	WS360	R58	WS359	WP311	RS2560	R37		R48			
Large 1290 1690	WS1035	R108	WS830	WP411	RS40120	R87 R77	UFG-00	R88	R57 (T10)	SB-ADJ187	SB-CHR07