

UFP Cartridges

A wide range of adjustable cartridges for finish boring

Ideal for productivity situations where close tolerances on sizes are required. Features include fine graduations and interchangeable components

Accurate, ultra-fine precision cartridges

Fine tolerance adjustment

Rigibore UFP Cartridges feature zero backlash and are graduated to 5 microns/0.0002" per division on diameter over a range of 0.6mm/0.024".

Axial Positional Adjustment for length tolerances

Special tools are easily adjusted to extremely high levels of accuracy.

Outstanding value

Maintaining close tolerances more consistently over longer periods of time means productivity increases significantly.

Available for 'heavy' duty finishing

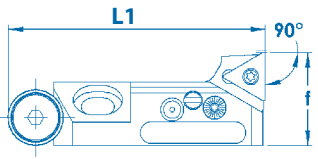
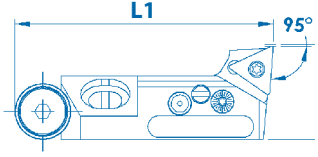
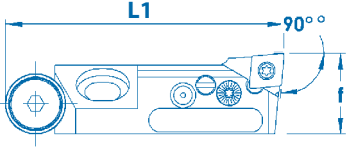
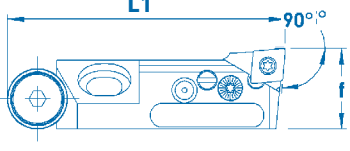


UFP Cartridge Technical Data

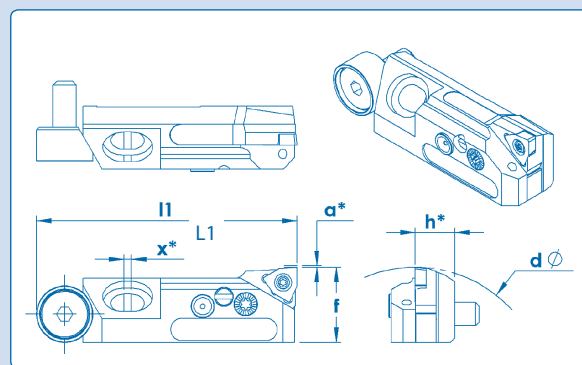
	Part Number	D (min bore Ø)		f		L1		Insert	Datum Rad	
		mm	inch		inch	mm	inch		mm	inch
	UFP-0390 UFP-0390LH	28.0	1.102	16.0	0.629	55.5	2.185	WCGX 03 02 ..	0.4	0.016
	UFP-0690 UFP-0690LH	28.0	1.102	16.0	0.629	55.5	2.185	CC or CP 06 02 ..	0.4	0.016
	UFP-0695 UFP-0695LH	28.0	1.102	16.0	0.629	55.5	2.185	CC or CP 06 02 ..	0.4	0.016
	UFP-0690BB	36.0	1.417	20.0	0.787	46.0	1.811	CC or CP 06 02 ..	0.4	0.016
	UFP-07120 UFP-07120LH	28.0	1.102	16.0	0.629	58.5	2.303	DC 07 02 ..	0.4	0.016

Continued...

Continued...

	Part Number	D (min bore Ø)		f		L1		Insert	Datum Rad	
		mm	inch	mm	inch	mm	inch		mm	inch
	UFP-1190 UFP-1190LH	36.0	1.417	20.0	0.787	55.5	2.185	TC or TP 11 02 ..	0.4	0.016
	UFP-1195 UFP-1195LH	36.0	1.417	20.0	0.787	55.5	2.185	TC or TP 11 02 ..	0.4	0.016
	UFP-1290	75.0	2.953	32.0	1.260	107.0	4.213	CC or CP 12 04 ..	0.8	0.031
	UFP-1690	75.0	2.953	32.0	1.260	107.0	4.213	TC or TP 16 03 ..	0.8	0.031

UFP Cartridges Technical Specification



- **a*** - 0.3 adjustment on all UFP's, adjustment = 0.005mm per division on diameter
- **h*** - 8.5 on UFP 06-11, 18.0 on UFP 12-16
- **x*** - 1.0 on UFP 06-11, 1.6 on UFP 12-16

For mounting dimensions please see the 'Smartbore & UFP Mounting Dimensions' section on page 6.

UFP Cartridges Spares & Accessories

UFP	Clamp Screw	Hexagon Wrench for Clamp Screw	Axial Adjusting Screw	Axial Wedge	Insert Screw	Torx Wrench for Insert Screw	Grease Gun	Hexagon Wrench for Axial Screw	Torx Wrench for Adjustment Screw
Standard	WS360	R58	WS359	WP311	RS2560	R37	UFPG_00	R48	R57 (T10)
Large (1290, 1690)	WS1035	R108	WS830	WP411	RS40120	R87 R77		R88	