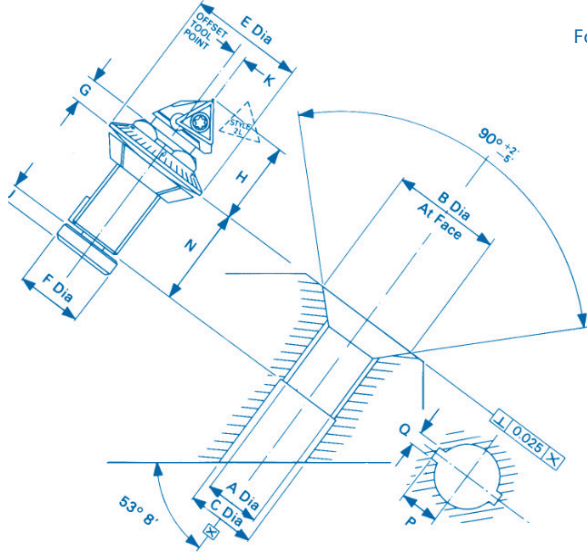
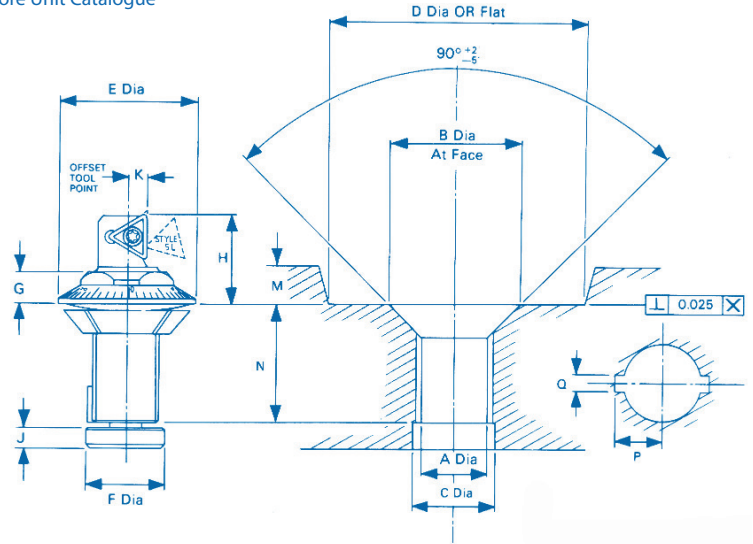


Angular Mounted Units - Type 'R' & 'TR'



Square Mounted Units - Type 'R' & 'TR'

Note:
 'H' - over datum rad
 'K' - to sharp point
 For 'H' & 'K' see Rigibore Unit Catalogue



Hole Dimensions - Metric

Unit Prefix	A +.013 -0 Ø	B +.13 -0 Ø	C +.25 -0 Ø	D +/- .25	E +/- .05	F +/- .0.1	G +0 0.02	J +0.1 -0	M M (Std)	N +.25 -0	P +.05 -0	Q +.02 -0
R2BS										6.35		1.60
R2B/TR2B	6.35	12.80	8.00	19.00	13.70	7.80	3.00	1.85	4.00	9.50	3.80	
R2A/TR2A										12.70		
R2F/TR2F										12.70		
R3B/TR3B										11.90		
R3A/TR3A	7.937	16.00	11.30	26.00	18.00	11.00	4.00	4.00	5.50	15.90	5.05	2.34
R3F/TR3F										15.90		
R5B/TR5B										19.00		
R5A/TR5A	12.70	25.66	16.00	38.00	27.00	15.60	5.60	7.00	5.50	25.40	7.55	3.155
R5F/TR5F										25.40		
R7B/TR7B										25.40		
R7A/TR7A	19.05	35.20	24.00	48.00	37.50	23.70	8.70	13.00	11.00	31.75	11.35	4.76
R7F/TR7F										31.75		
R10B/TR10B										35.00		
R10A/TR10A	25.40	44.70	32.00	57.00	48.00	31.50	9.40	16.50	14.50	47.60	14.95	6.32
R10F/TR10F										47.60		

Hole Dimensions - Imperial

Unit Prefix	A +.0005 -0 Ø	B +.005 -0 Ø	C +.010 -0 Ø	D +.01	E +/- .002 Ø	F +/- .004 Ø	G +0 .008	J +.004 -0	M M (Std)	N +.010 -0 B/A	P +.002 -0	Q +.001 -0
R2BS										0.2500		0.0630
R2B/TR2B	0.2500	0.5040	0.3150	0.7500	0.5400	0.3070	0.1180	0.1180	0.1570	0.3750	0.1500	
R2A/TR2A										0.5000		
R2F/TR2F										0.5000		
R3B/TR3B										0.4690		
R3A/TR3A	0.3125	0.6300	0.4450	1.030	0.7090	0.4330	0.1580	0.1580	0.2170	0.6250	0.1990	0.0920
R3F/TR3F										0.6250		
R5B/TR5B										0.7500		
R5A/TR5A	0.5000	1.010	0.6300	1.500	1.063	0.6100	0.2200	0.2760	0.2170	1.000	0.2970	0.1240
R5F/TR5F										1.000		
R7B/TR7B										1.000		
R7A/TR7A	0.7500	1.3860	0.9450	1.870	1.476	0.9330	0.3430	0.5120	0.4330	1.250	0.4470	0.1870
R7F/TR7F										1.250		
R10B/TR10B										1.375		
R10A/TR10A	1.000	1.760	1.260	2.250	1.890	1.240	0.3700	0.6500	0.5710	1.875	0.5890	0.2490
R10F/TR10F										1.875		